

COMPANY PROFILE



**PENTA ENGINEERING
SERVICES SDN BHD**
MALAYSIA

**PENTAPESSB
CORPORATION**
PHILIPPINES



PENTA ENGINEERING SERVICES SDN BHD (MALAYSIA)
PENTAPESB CORPORATION (PHILIPPINES)

ABOUT US

OUR HISTORY

Penta Engineering Services Sdn Bhd was established in the year of 2012 operating as a trading company for low voltage (LV) electrical components. With the hard work and business acumen contributed, Penta Engineering Services Sdn Bhd has now grown into a strong distributor offering a vast array of renowned brands of low voltage (LV) electrical switchgear and electronic components from multinational companies.

OUR BUSINESS

We offer products such as switchgear which forms an integral role in the distribution and protection system of electrical supplies for residential, industrial and commercial building, process plant, water treatment plant as well as solar energy plant. The primary activities of Penta Engineering Services Sdn Bhd are project-contract supply and trading. The total turnover rate sums up to an estimation of 50% from the project-contract supply. Trading activities such as wholesale, import, export and distribution of the low voltage electrical components contribute to the total turnover rate of another 50%.





PENTA ENGINEERING SERVICES SDN BHD (MALAYSIA)
PENTAPESSB CORPORATION (PHILIPPINES)

ABOUT US

OUR PARTNERS

To elongate PESSB's distribution length, Penta Engineering Services Sdn Bhd has established a strong core distributorship with multinational companies such as :

- Gustav Hensel GmbH & Co. KG
- Walther-Werke Ferdinand Walther GmbH
- Wöhner GmbH & Co. KG
- AGRO AG
- Elmex Electric Pvt Ltd
- Vimar SpA
- Siemens Malaysia Sdn Bhd
- Schneider Electric Industries (M) Sdn Bhd
- ABB Malaysia Sdn Bhd
- Terasaki Electric (M) Sdn Bhd
- Mikro MSC Berhad

OUR CUSTOMERS

Our innovative products and technical information are targeted for customers such as :

- Electrical Contractors
- Electrical Consultants
- Electrical Dealers
- Electrical Switchboard Manufacturers
- Solar System Integrator
- Developers and End User

OUR MISSION

Penta Engineering Services Sdn Bhd's mission is to become a leader in the electrical distributor industry to support the nation's massive economic growth in the coming years.



PENTA ENGINEERING SERVICES SDN BHD (MALAYSIA)
PENTAPESSB CORPORATION (PHILIPPINES)

FEATURED PRODUCTS





PENTA ENGINEERING SERVICES SDN BHD (MALAYSIA)
PENTAPESB CORPORATION (PHILIPPINES)

HENSEL

PASSION FOR POWER.



- **ENYCASE** DK Cable junction boxes
- **ENYBOARD** KV Small-type distribution boards
- **ENYSTAR** ENYSTAR® Distribution boards
- **ENYMOD** Mi Distribution boards
- **ENYFIT** LES Cable entry systems



PENTA ENGINEERING SERVICES SDN BHD (MALAYSIA)
PENTAPESSB CORPORATION (PHILIPPINES)

walther
Elektrotechnische Systeme

PLUGS & COUPLERS - IP67

MANUAL DISCONNECT SWITCHES

E-MOBILITY

PANEL SOCKETS - ANGLED

PLUGS & COUPLERS - IP44

walther
Elektrotechnische Systeme
MECHANICAL INTERLOCK DEVICES

PROCON HEAVY DUTY CONNECTOR

REMOTE ACCESS INTERFACE PORTS

PROCONBOX

PORTABLE POWER DB SYSTEMS



PENTA ENGINEERING SERVICES SDN BHD (MALAYSIA)
PENTAPESB CORPORATION (PHILIPPINES)

wöhner
ALLES MIT SPANNUNG

wöhner
ALLES MIT SPANNUNG

60mm-System compact

The space-saving solution



Your advantages

- Optimum utilisation of space through low installation height of only 160mm
- 3-pole version up to 360A and ILL listed
- Possibility to combine with components from 60mm-system classic
- Connecting terminal plate up to 50mm*
- 4- and 5-pole up to 200A according to IEC
- Modular busbar adapters for different MCB's for highest degree of variability
- Easy servicing and maintenance

**TRADITIONAL INSTALLATION
WITH BUSBAR**



wöhner
ALLES MIT SPANNUNG



**BUSBAR SYSTEM WITH SPECIAL COMPONENTS & DRILLFREE INSTALLATION
(SPACE SAVING, TIME SAVING)**



PENTA ENGINEERING SERVICES SDN BHD (MALAYSIA)
PENTAPESB CORPORATION (PHILIPPINES)





PENTA ENGINEERING SERVICES SDN BHD (MALAYSIA)
PENTAPESB CORPORATION (PHILIPPINES)

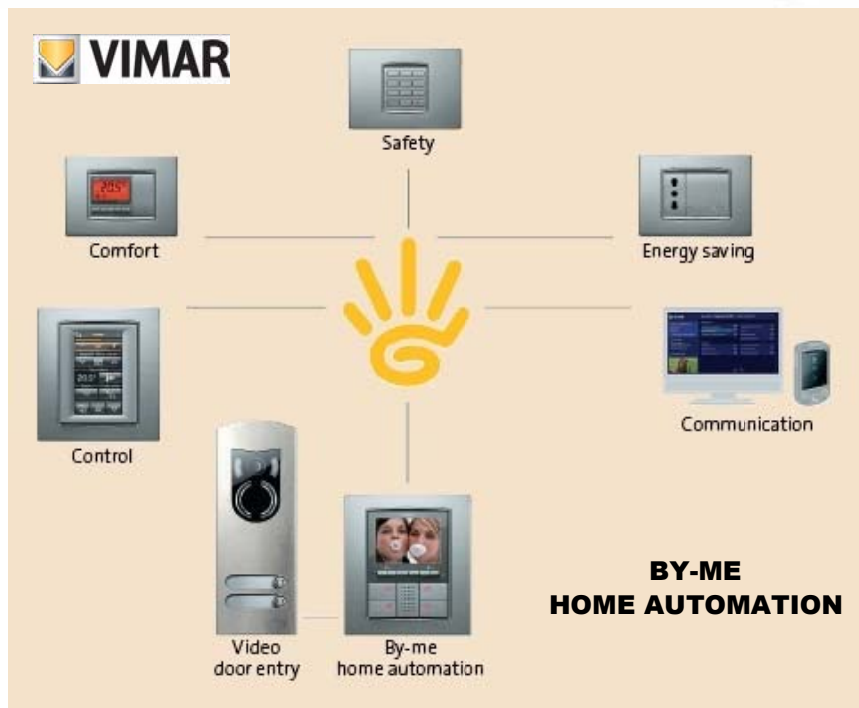




EIKON

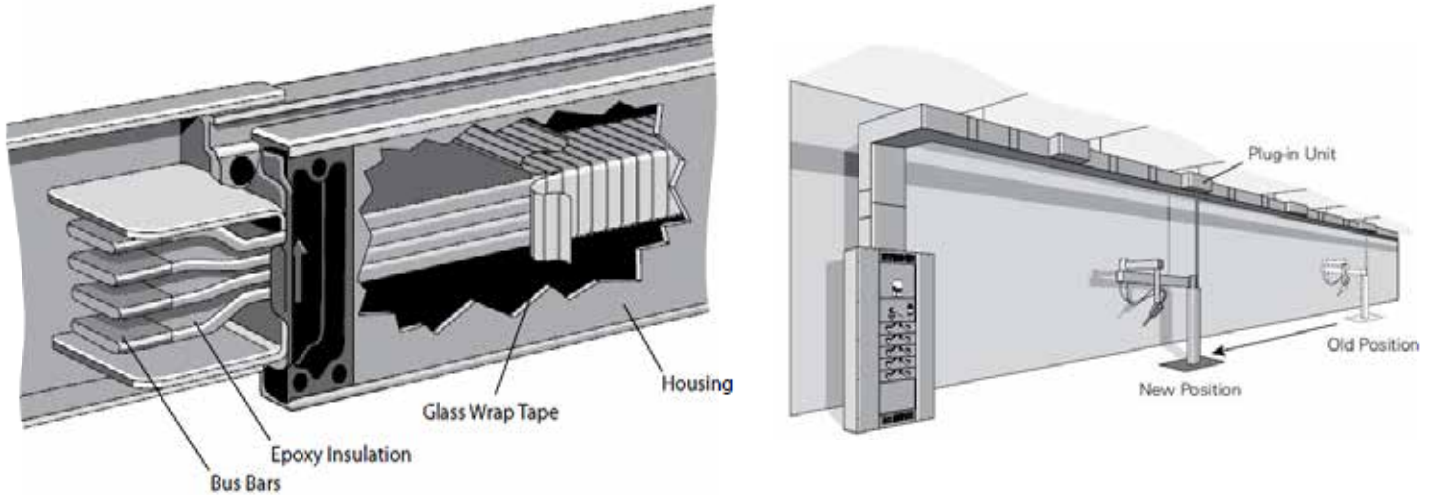


PLANA

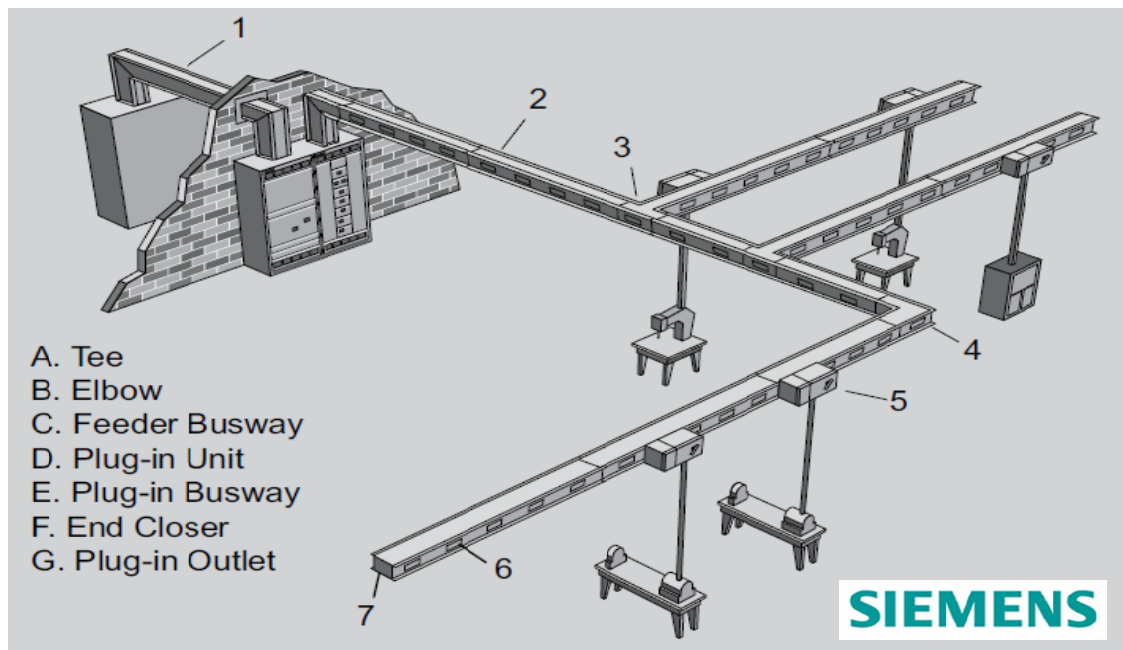




SIEMENS



BUSWAY TRUNKING SYSTEMS SIVACON 8PS





PENTA ENGINEERING SERVICES SDN BHD (MALAYSIA)
PENTAPESB CORPORATION (PHILIPPINES)





PENTA ENGINEERING SERVICES SDN BHD (MALAYSIA)
PENTAPESB CORPORATION (PHILIPPINES)



GOLF SERIES





PENTA ENGINEERING SERVICES SDN BHD (MALAYSIA)
PENTAPESB CORPORATION (PHILIPPINES)

ABB





PENTA ENGINEERING SERVICES SDN BHD (MALAYSIA)
PENTAPESB CORPORATION (PHILIPPINES)





PENTA ENGINEERING SERVICES SDN BHD (MALAYSIA)
PENTAPESB CORPORATION (PHILIPPINES)





PROJECT PICTURE REFERENCE



PLC CONTROL



**TRAINING KIT
TECHNICAL SCHOOL**



AUTO REJECT SYSTEM



RPM & TEMPERATURE CONTROL SYSTEM



INVERTER ENERGY SAVING SYSTEM



PROJECT PICTURE REFERENCE





PROJECT PICTURE REFERENCE





PENTA ENGINEERING SERVICES SDN BHD (MALAYSIA)
PENTAPESB CORPORATION (PHILIPPINES)

PROJECT PICTURE REFERENCE





PENTA ENGINEERING SERVICES SDN BHD (MALAYSIA)
PENTAPESSB CORPORATION (PHILIPPINES)

PROJECT PICTURE REFERENCE





PENTA ENGINEERING SERVICES SDN BHD (MALAYSIA)
PENTAPESSB CORPORATION (PHILIPPINES)

PROJECT PICTURE REFERENCE





PROJECT PICTURE REFERENCE





PROJECT PICTURE REFERENCE





PENTA ENGINEERING SERVICES SDN BHD (MALAYSIA)
PENTAPESSB CORPORATION (PHILIPPINES)

PROJECT PICTURE REFERENCE





PENTA ENGINEERING SERVICES SDN BHD (MALAYSIA)
PENTAPESSB CORPORATION (PHILIPPINES)

PROJECT PICTURE REFERENCE





PENTA ENGINEERING SERVICES SDN BHD (MALAYSIA)
PENTAPESB CORPORATION (PHILIPPINES)

PROJECT PICTURE REFERENCE





PENTA ENGINEERING SERVICES SDN BHD (MALAYSIA)
PENTAPESB CORPORATION (PHILIPPINES)

PROJECT PICTURE REFERENCE





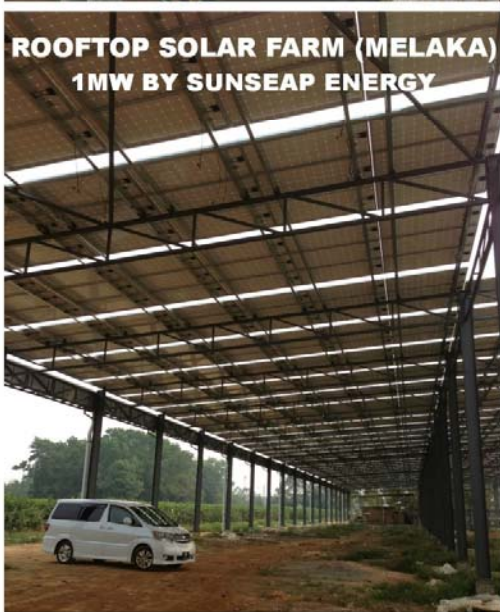
PENTA ENGINEERING SERVICES SDN BHD (MALAYSIA)
PENTAPESSB CORPORATION (PHILIPPINES)

PROJECT PICTURE REFERENCE





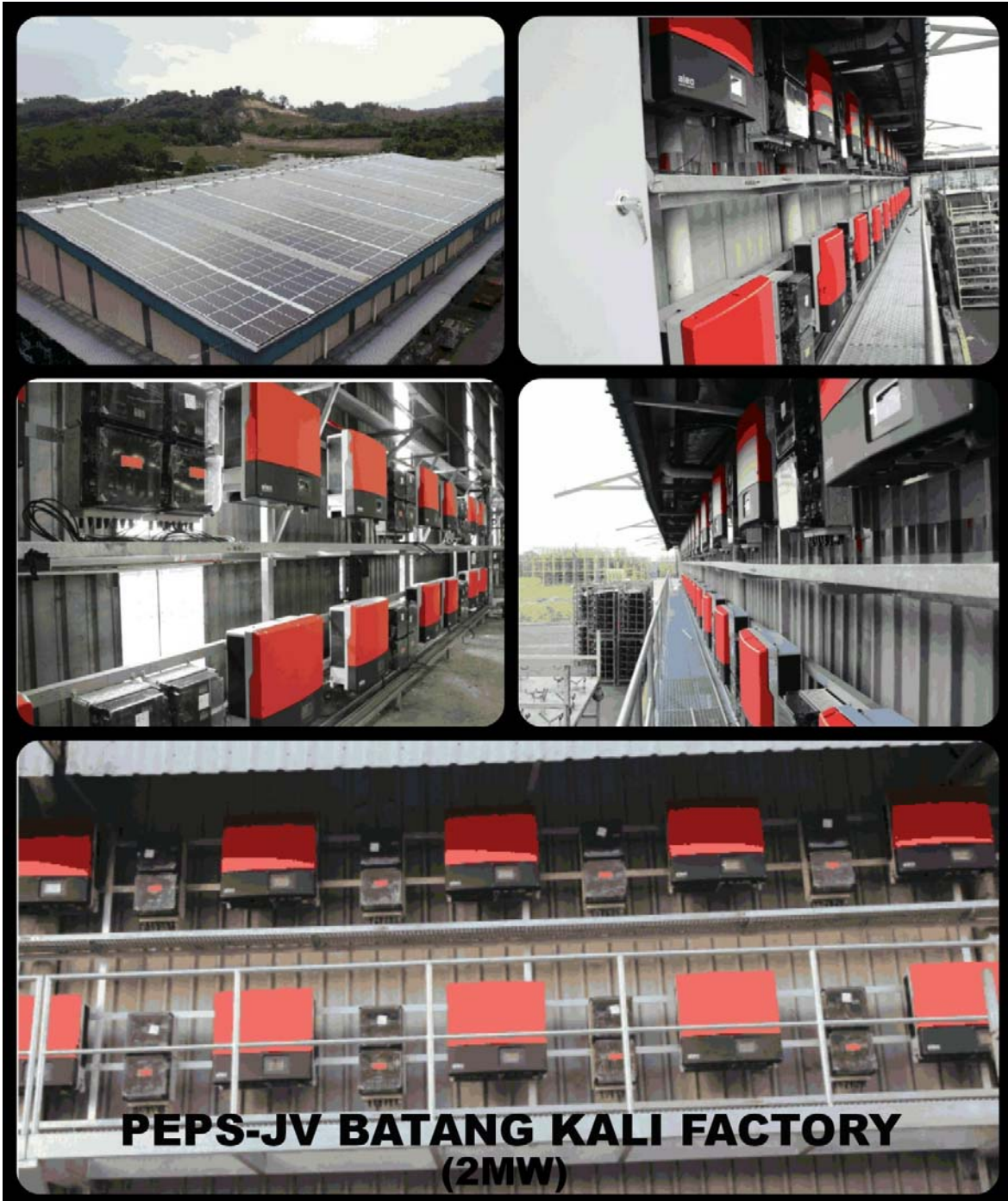
PROJECT PICTURE REFERENCE





PENTA ENGINEERING SERVICES SDN BHD (MALAYSIA)
PENTAPESSB CORPORATION (PHILIPPINES)

PROJECT PICTURE REFERENCE





PENTA ENGINEERING SERVICES SDN BHD (MALAYSIA)
PENTAPESSB CORPORATION (PHILIPPINES)

PROJECT PICTURE REFERENCE





PENTA ENGINEERING SERVICES SDN BHD (MALAYSIA)
PENTAPESSB CORPORATION (PHILIPPINES)

PROJECT PICTURE REFERENCE





PAST PROJECT REFERENCE

YEAR	PROJECT	PRODUCTS
1.	2002 AMPANG HOSPITAL	DISTRIBUTION BOARD
2.	2003 GUTHRIE BUKIT JELUTONG	DISTRIBUTION BOARD
3.	2003 MULTIMEDIA UNIVERSITY CYBERJAYA	DISTRIBUTION BOARD
4.	2004 CAPITAL SQUARE CONDOMINIUM	DISTRIBUTION BOARD
5.	2004 ALOR SETAR HOSPITAL	DISTRIBUTION BOARD
6.	2005 IDHL JLN WISMA PUTRA	DISTRIBUTION BOARD
7.	2005 BOUTIQUE HOTEL PULAU LANGKAWI	DISTRIBUTION BOARD
8.	2005 PRECINT 16 PUTRAJAYA BUNGALOW	DISTRIBUTION BOARD
9.	2006 PRECINT 17 PUTRAJAYA APARTMENT	DISTRIBUTION BOARD
10.	2006 MAHKAMAH JALAN DUTA	DISTRIBUTION BOARD
11.	2007 MID-VALLEY CITY PHASE 2	DISTRIBUTION BOARD & TAP OFF UNIT
12.	2007 MID-VALLEY THE GARDEN HOTEL	DISTRIBUTION BOARD
13.	2008 MID-VALLEY NORTH OFFICE TOWER	DISTRIBUTION BOARD
14.	2008 QIMONDA SENAI JOHOR BAHRU	DISTRIBUTION BOARD & SSB
15.	2008 WATER & GARDEN CHALETs AT PORT DICKSON	KWH METER BOARD
16.	2008 Q-CELL SOLAR PLANT	SOCKET PANEL
17.	2009 LAMBAH	DISTRIBUTION BOARD
18.	2009 ANG JOO STEELMILL	IP66 JUNCTION BOX
19.	2009 SEPANG GOLDEN PALM TREE RESORT	IP65 FEEDER PILLAR
20.	2010 PULAPOL KL PROJECT	DISTRIBUTION BOARD
21.	2010 SEPUTEH HEIGHT BUNGALOWS	DISTRIBUTION BOARD
22.	2010 SUNPOWER SOLAR PLANT	POWER JUNCTION BOX
23.	2011 THE PEAK CONDOMINIUM PHASE 1 & PHASE 2 AT KOTA KINABALU	DISTRIBUTION BOARD
24.	2011 IPD SEGAMAT	DISTRIBUTION BOARD
25.	2011 UTAMA LODGE	DISTRIBUTION BOARD
26.	2011 4 BUNGALOW & 16 SEMI-D PHASE 4A KAJANG	DISTRIBUTION BOARD
27.	2011 PERSIARAN ARA SEJAHTERA & ARA DAMANSARA	DISTRIBUTION BOARD
28.	2011 UITM JALAN SEMARAK	DISTRIBUTION BOARD
29.	2011 DENAI ALAM FASA F1 & FASA J9	DISTRIBUTION BOARD



RECENT PROJECT REFERENCE

	YEAR	PROJECT	PRODUCTS
1.	2012	GLENEAGLE EXTENSION PINANG	HAGER DB
2.	2012	CYBER LAKE VIEW 137 UNIT	HAGER DB
3.	2012	PENJARA JASIN MELAKA	HAGER DB
4.	2012	ROBERT BOSCH PENANG FACTORY (500MW)	HENSEL AC/DC COM BOX
5.	2012	BARRY CALLEBAUT CHOCOLATE FACTORY	WOHNER COMPONENT
6.	2012	NAUTIC OFFSHORE	HENSEL IP65 PANEL
7.	2012	IPD TEMERLOH PAHANG	EPS DB
8.	2012	KOMPLEKS ANGKASAPURI RTM KUALA LUMPUR	EPS DB
9.	2012	BALAI POLIS HARTAMAS	EPS DB
10.	2012	KK2 PUTRAJAYA	EPS DB
11.	2012	KOLEJ MATRIKULASI PULAU PINANG	EPS DB
12.	2012	SUNWAY HOTEL PINANG	HAGER DB & TERASAKI COMPONENT
13.	2012	JALAN THAMBIDOLA BUDGET HOTEL	MAXGUARD DB
14.	2012	3 STOREY SEMI-DETACHED	HAGER DB
15.	2012	SHELL OIL AND GAS PROJECT	HENSEL IP65 PANEL
16.	2012	PETRONAS KENCANA OIL AND GAS PROJECT	HENSEL IP65 PANEL
17.	2012	TENAGA NASIONAL BERHAD	POWER FACTOR CORRECTION BOARD
18.	2012	SAPURA SECURED TECHNOLOGIES	E&E COMPONENT
19.	2012	SUNWAY LAGOON	HENSEL IP65 PANEL
20.	2013	PENTRONAS KENCANA OIL & GAS PROJECT	HENSEL IP65 PANEL
21.	2013	SRI DAMANSARA GREEN HEIGHTS 79 UNITS	HAGER DB
22.	2013	PEMBANGUNAN PERUMAHAN TANJUNG MALAM	MAXGUARD DB
23.	2013	AYER KEROH RESORT SEMI-D	MAXGUARD DB
24.	2013	APARTMENT JINJANG KEPONG	MAXGUARD DB
25.	2013	BUCC 132KV	AGRO CABLE GLANDS
26.	2013	PEPS-JV BATANG KALI 2MW SOLAR PLANT	HENSEL AC/DC COM BOX
27.	2013	HYDROGEN PLANT MALAYSIA	WOHNER COMPONENTS
28.	2013	MILLENNIUM HOTEL	HAGER & MAXGUARD DB
29.	2013	BIOCON	WALTHER PLUG&SOCKET & AGRO CABLE GLANDS
31.	2013	FIBERAIL	HENSEL DC PANEL
32.	2013	TAMAN SEPUTEH HOUSE	HENSEL AC/DC COM BOX
33.	2013	126 UNIT BUNGALOW TTDI	HAGER DB
34.	2013	SRI DAMANSARA HEIGHTS	HAGER DB
35.	2013	WESTSTAR BUNGALOW	MAXGUARD DB
36.	2013	LEGOLAND HOTEL	HAGER COMPONENTS
37.	2013	WESTSTAR AUTO HONDA SHOWROOM	MAXGUARD DB
38.	2013	TETUAN PAHLAWAN CITY	MSB & SSB
39.	2013	FORESTHILL DAMANSARA PERDANA	SCHNEIDER COMPONENT
40.	2013	AUO SUNPOWER 1.5MW CARPARK ROOFTOP	HENSEL AC/DC COM BOX
41.	2013	HUFCOR	HENSEL DB
42.	2013	HE ALOR GAJAH FACTORY 270KW	HENSEL AC/DC COM BOX
43.	2013	TUNE HOTEL SEPANG	HAGER SWITCHES & DB
44.	2013	GMC PHASE 2 GROUND FLOOR	HAGER DB



PENTA ENGINEERING SERVICES SDN BHD

(986496-A)

CASTELLO ENERGY CENTRE - LEVEL 1

**NO.18, JALAN INDUSTRI PBP 9, TAMAN INDUSTRI PUSAT BANDAR
PUCHONG, 47100 PUCHONG, SELANGOR DARUL EHSAN, MALAYSIA.**

Tel : +603-8060 6881 Fax : +603-8060 6887

E-mail : salespessb@gmail.com

Web : www.pentaessb.com

PENTAPESSB CORPORATION

**5TH FLOOR, RICHVILLE CORPORATE TOWER, 1107 ALABANG
ZAPOTE ROAD, MADRIGAL BUSINESS PARK, AYALA
ALBANG, MUNTINLUPA CITY, PHILIPPINES 1770.**

Tel : (+632) 7718 888 Fax : (+632) 7711 573

E-mail : pentapessb@gmail.com

Web : www.pentaessb.com